

## Lesson 23: Volume of Solids

### NYS Learning Standards:

**7.G.6** Solve real-world and mathematical problems involving area, volume and surface area of two- and three-dimensional objects composed of triangles, quadrilaterals, polygons, cubes, and right prisms.

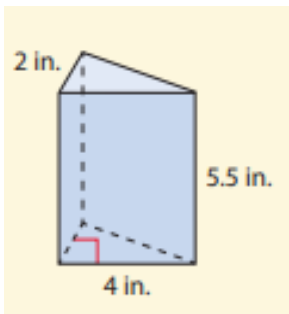
### Learning Outcome:

- Find the volumes of cubes and right prisms by multiplying the area of the base by the height. (Focus on  $V = Bh$ , not  $l \times w \times h$ )
- Find the volume of cubes and right prisms in real-world situations.

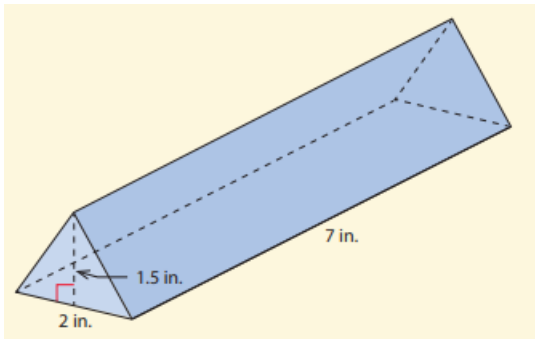
### Vocabulary:

- Right Prism: **a solid with two parallel bases that are polygons and lateral faces perpendicular to the bases.**

Find the volume of the figure below.



Find the volume of the figure below.



Find the volume of the figure below.

