

Name : \_\_\_\_\_

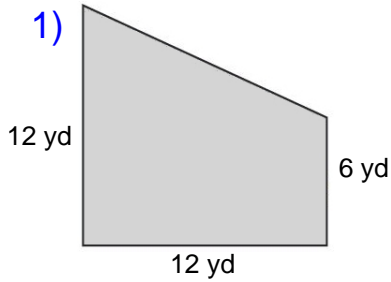
Score : \_\_\_\_\_

Teacher : \_\_\_\_\_

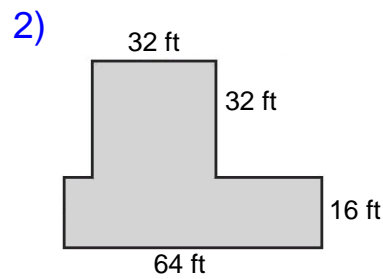
Date : \_\_\_\_\_

### Compound Shapes

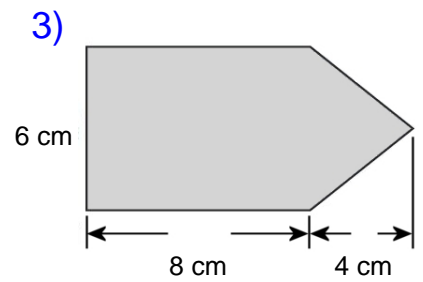
Find the area of each figure, round your answer to one decimal place if necessary.



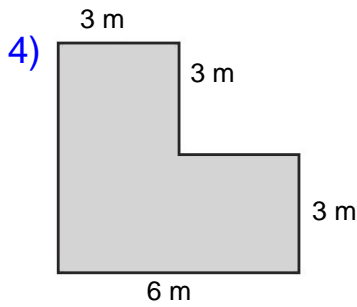
Area: \_\_\_\_\_



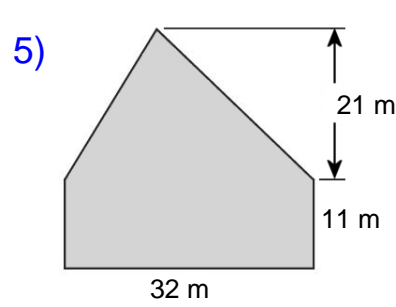
Area: \_\_\_\_\_



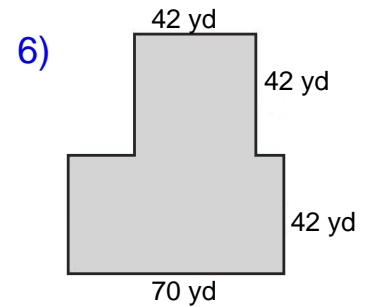
Area: \_\_\_\_\_



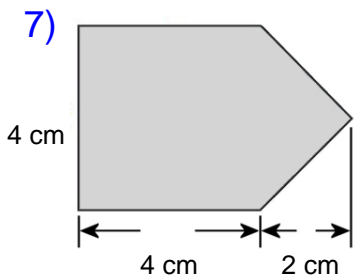
Area: \_\_\_\_\_



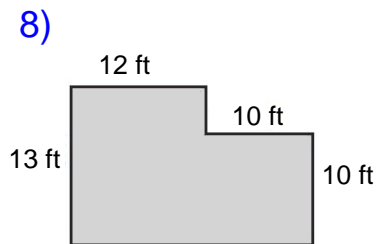
Area: \_\_\_\_\_



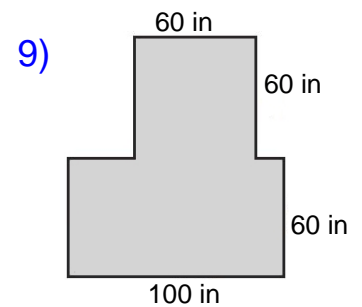
Area: \_\_\_\_\_



Area: \_\_\_\_\_



Area: \_\_\_\_\_



Area: \_\_\_\_\_

Name : \_\_\_\_\_

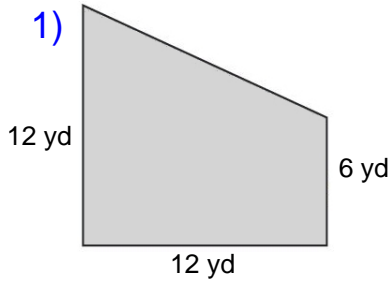
Score : \_\_\_\_\_

Teacher : \_\_\_\_\_

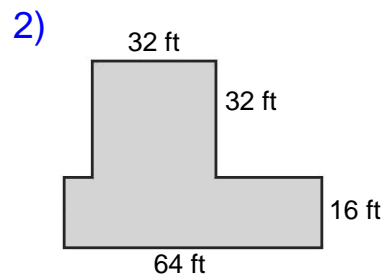
Date : \_\_\_\_\_

### Compound Shapes

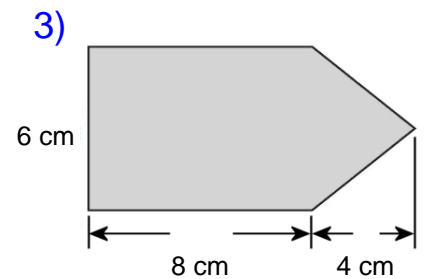
Find the area of each figure, round your answer to one decimal place if necessary.



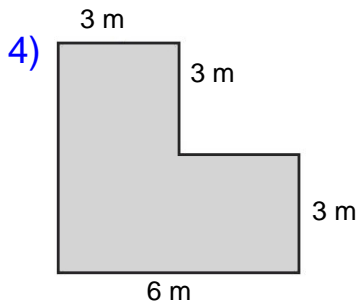
Area: 108 yd<sup>2</sup>



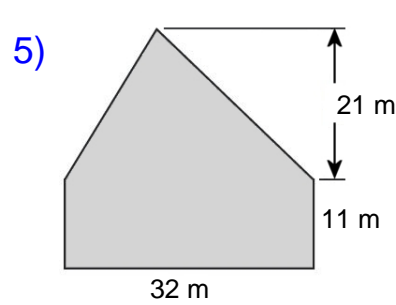
Area: 2048 ft<sup>2</sup>



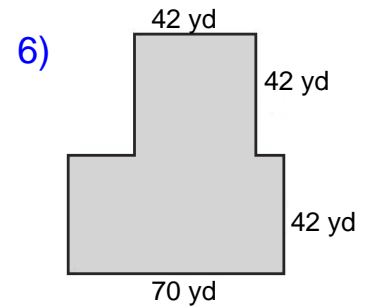
Area: 60 cm<sup>2</sup>



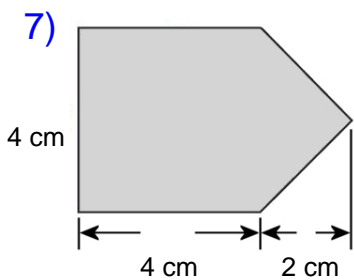
Area: 27 m<sup>2</sup>



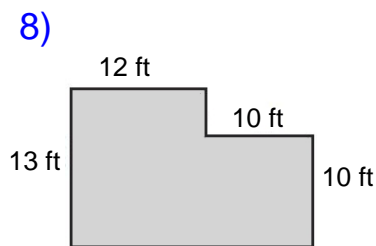
Area: 688 m<sup>2</sup>



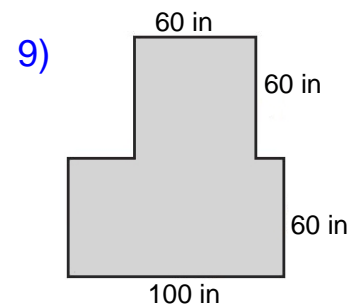
Area: 4704 yd<sup>2</sup>



Area: 20 cm<sup>2</sup>



Area: 256 ft<sup>2</sup>



Area: 9600 in<sup>2</sup>