

Name : \_\_\_\_\_

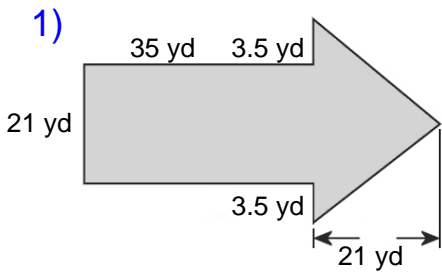
Score : \_\_\_\_\_

Teacher : \_\_\_\_\_

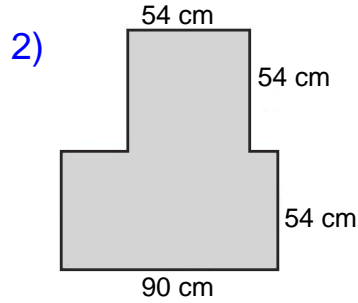
Date : \_\_\_\_\_

### Compound Shapes

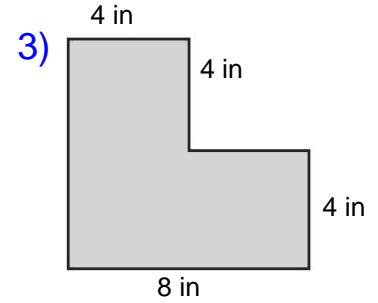
Find the area of each figure, round your answer to one decimal place if necessary.



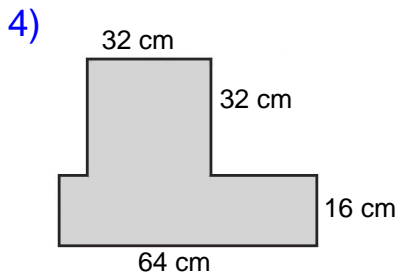
Area: \_\_\_\_\_



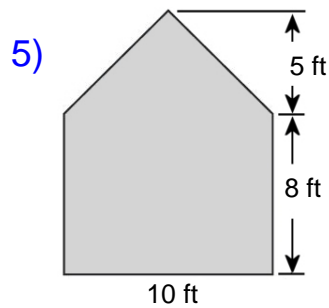
Area: \_\_\_\_\_



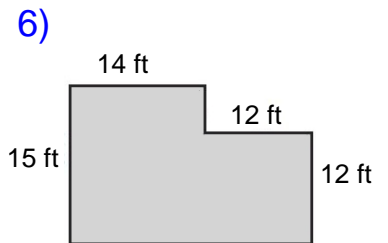
Area: \_\_\_\_\_



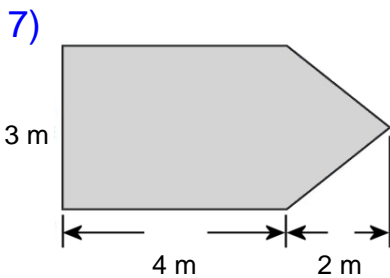
Area: \_\_\_\_\_



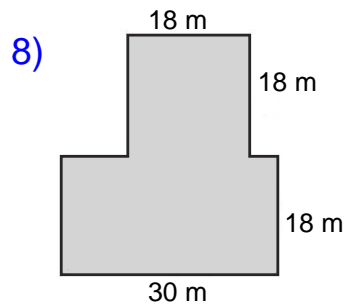
Area: \_\_\_\_\_



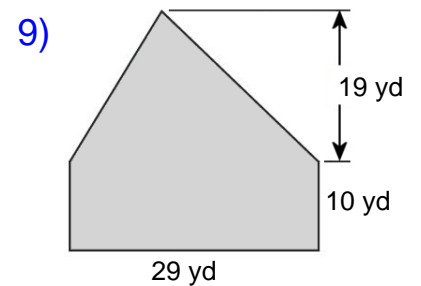
Area: \_\_\_\_\_



Area: \_\_\_\_\_



Area: \_\_\_\_\_



Area: \_\_\_\_\_

Name : \_\_\_\_\_

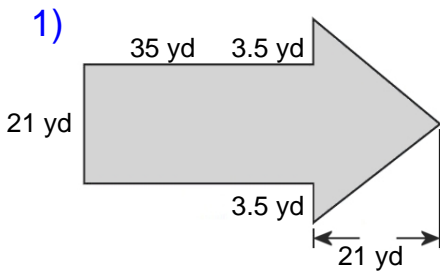
Score : \_\_\_\_\_

Teacher : \_\_\_\_\_

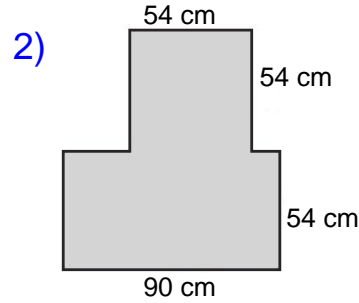
Date : \_\_\_\_\_

### Compound Shapes

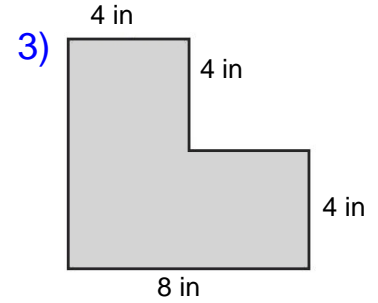
Find the area of each figure, round your answer to one decimal place if necessary.



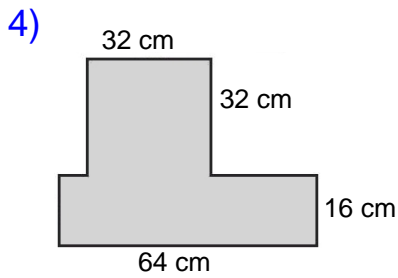
Area: 1029 yd<sup>2</sup>



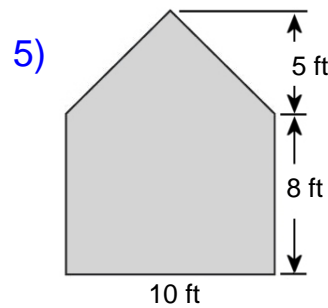
Area: 7776 cm<sup>2</sup>



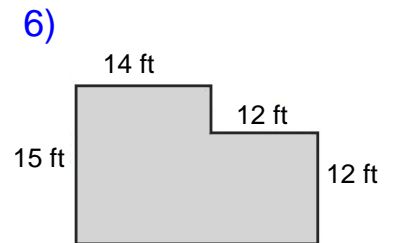
Area: 48 in<sup>2</sup>



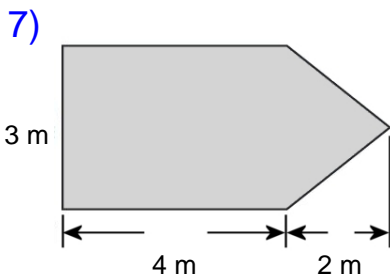
Area: 2048 cm<sup>2</sup>



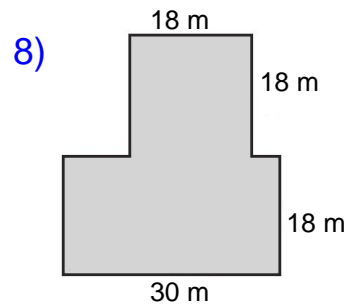
Area: 105 ft<sup>2</sup>



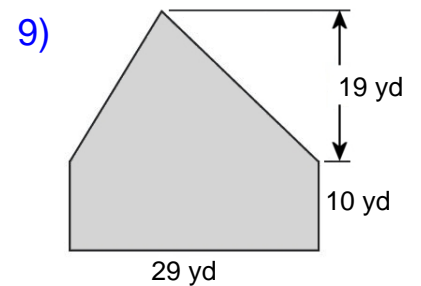
Area: 354 ft<sup>2</sup>



Area: 15 m<sup>2</sup>



Area: 864 m<sup>2</sup>



Area: 565.5 yd<sup>2</sup>